

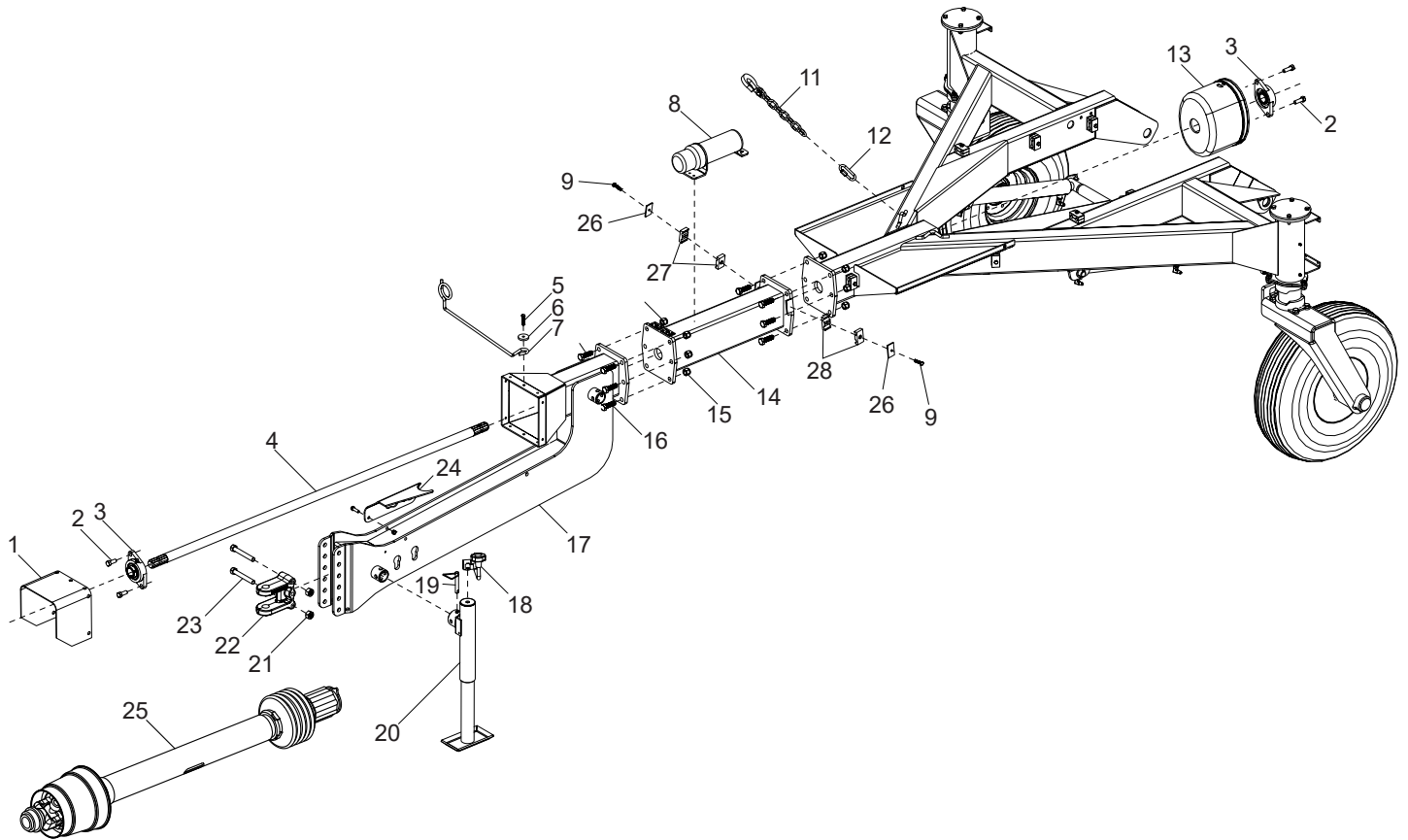


TT6101 Rotary Tedder

Illustrated Parts Breakdown

Page 1	Chassis Assembly
Page 2	Transport Axle Assembly S/N -93847
Page 3	Transport Axle Assembly S/N 93847+
Page 4	Transport Lock Assembly
Page 5	Lift Frame Assembly
Page 6	Center Tunnel Assembly
Page 7	Inner Wing Assembly S/N -94153
Page 8	Inner Wing Assembly S/N 94153+
Page 9	Outer Wing Assembly
Page 10	Rotor and Tine Arm
Page 11	Axle Assembly S/N -95066
Page 12	Axle Assembly S/N 95066+
Page 13	Input Gearbox Assembly
Page 14	Rotor Gearbox Assembly
Page 15	PTO Shaft Assembly - Walterscheid
Page 16	Rear PTO Shaft Assembly - Bondioli
Page 17	Front PTO Shaft Assembly - Bondioli
Page 18	Hydraulics

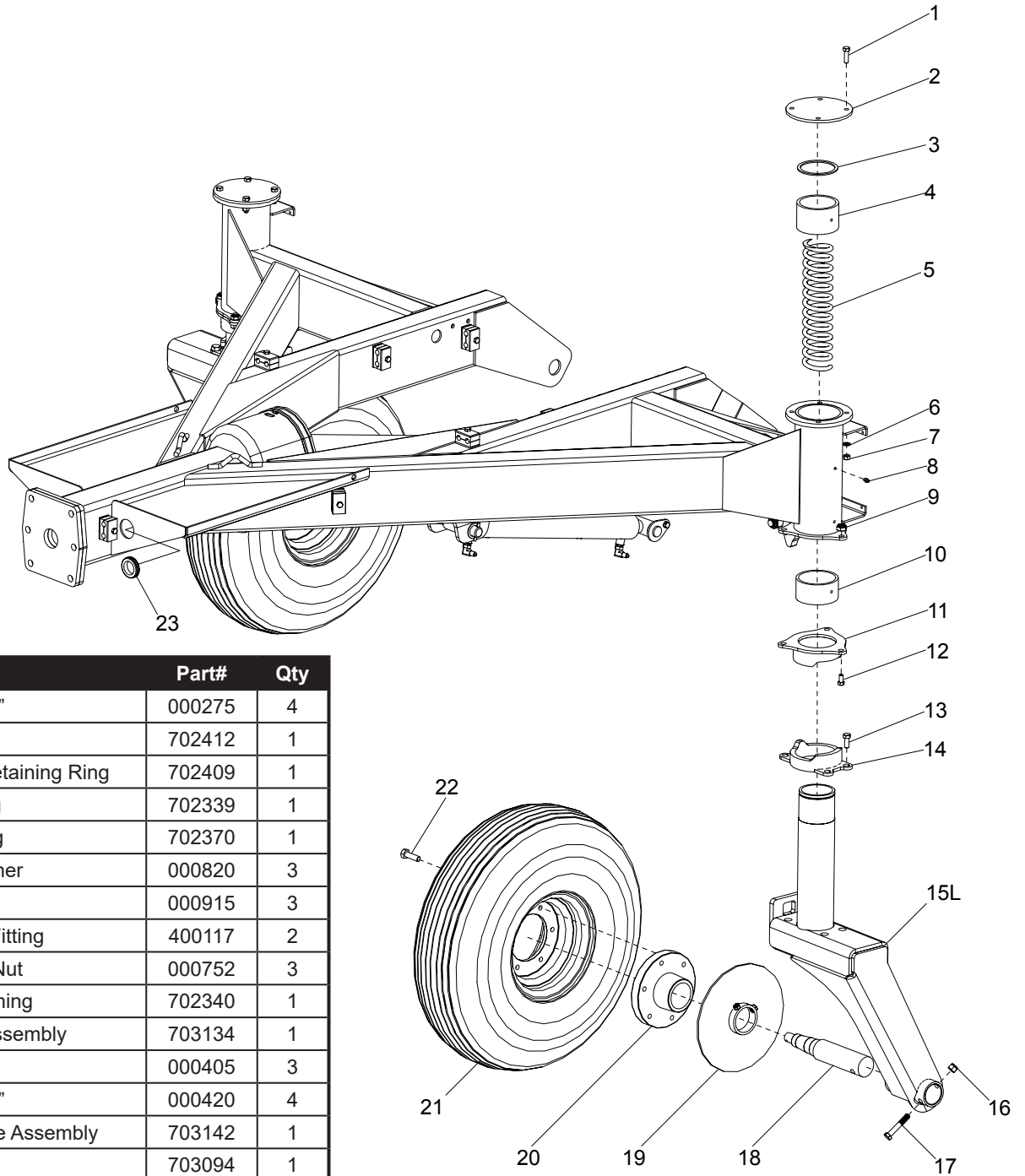
Chassis Assembly



Ref#	Description	Part#	Qty Used
1	PTO Shield	702333	1
2	Bolt, 1/2" x 1.25"	000420	2 per bearing
3	Flange Bearing	505568	2
4	Drive Shaft	700917	1
5	Bolt, 5/16 x 1-1/2	000225	1
6	Hose Support Washer	502308	1
7	Hose Support	502288	1
8	Ops Manual Canister	503050	1
9	Bolt, 5/16 x 1-5/16	703327	1
10	Hose Block Kit	507294	10
11	Safety Chain	101132	2
12	5/16" Quick Link	001095	2
13	Plastic PTO Shield	701205	1
14	Tongue Extension	703296	1

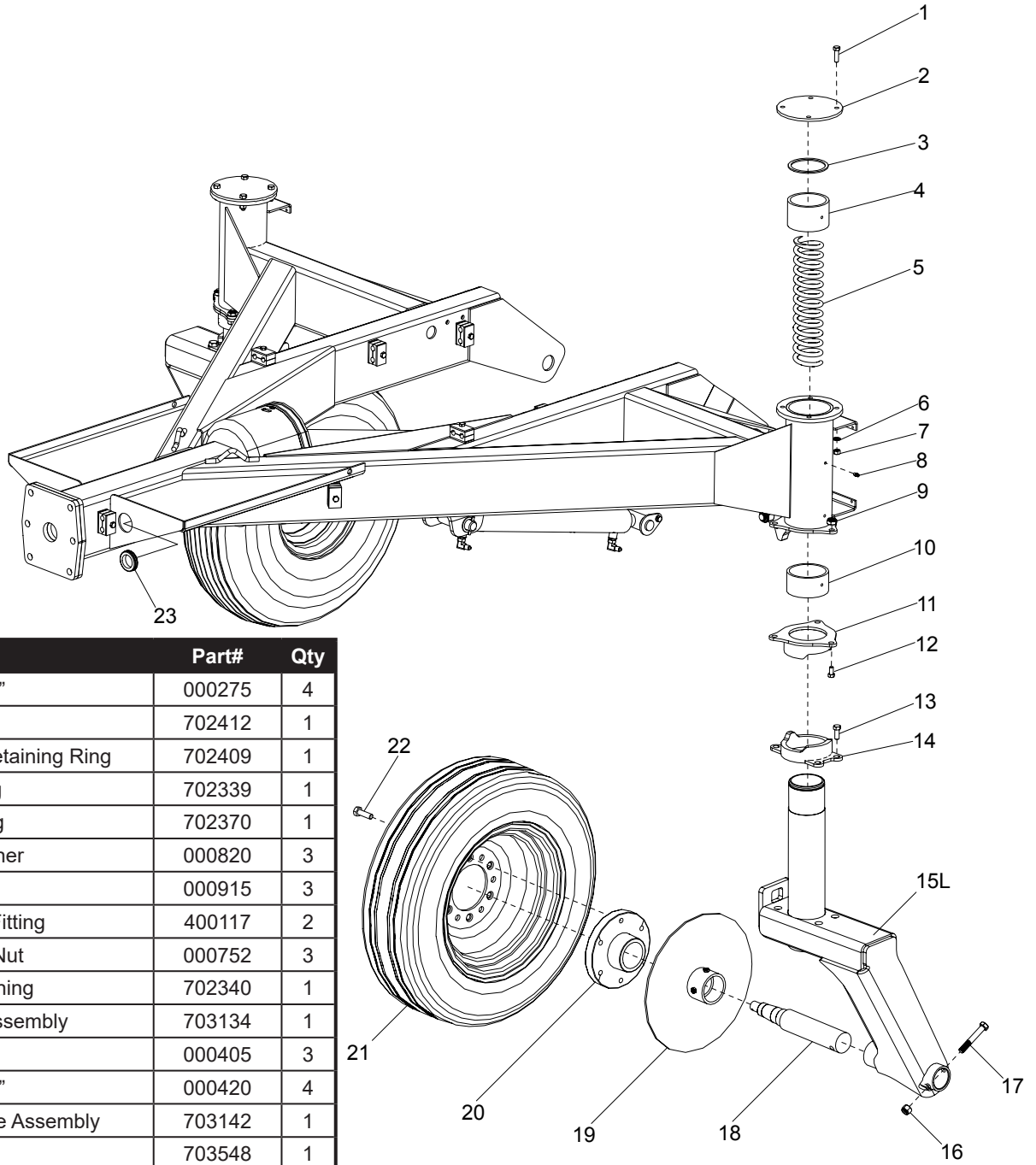
Ref#	Description	Part#	Qty Used
15	5/8" Nylon Locknut	000972	12
16	Bolt, 5/8" x 2"	000615	12
17	Front Tongue Weldment	703286	1
18	Jack Handle (Top Wind)	500010	1
19	Pin & Chain	102121	1
20	2K Top Wind Jack, Complete	500009	1
21	5/8"-11 Nut	100079	2
22	3 Hole Clevis Coupler	507018	1
23	Bolt, 5/8-11 x 4-1/2	000645	2
24	PTO Stand	500015	1
25	Complete PTO Shaft	702097	1
26	Metal Hose Clamp Cap	510630	1 per clamp
27	1/4" Nylon Hose Clamp	510632	2 per clamp
28	3/8" Nylon Hose Clamp	507300	2 per clamp

Transport Axle Assembly S/N -93847



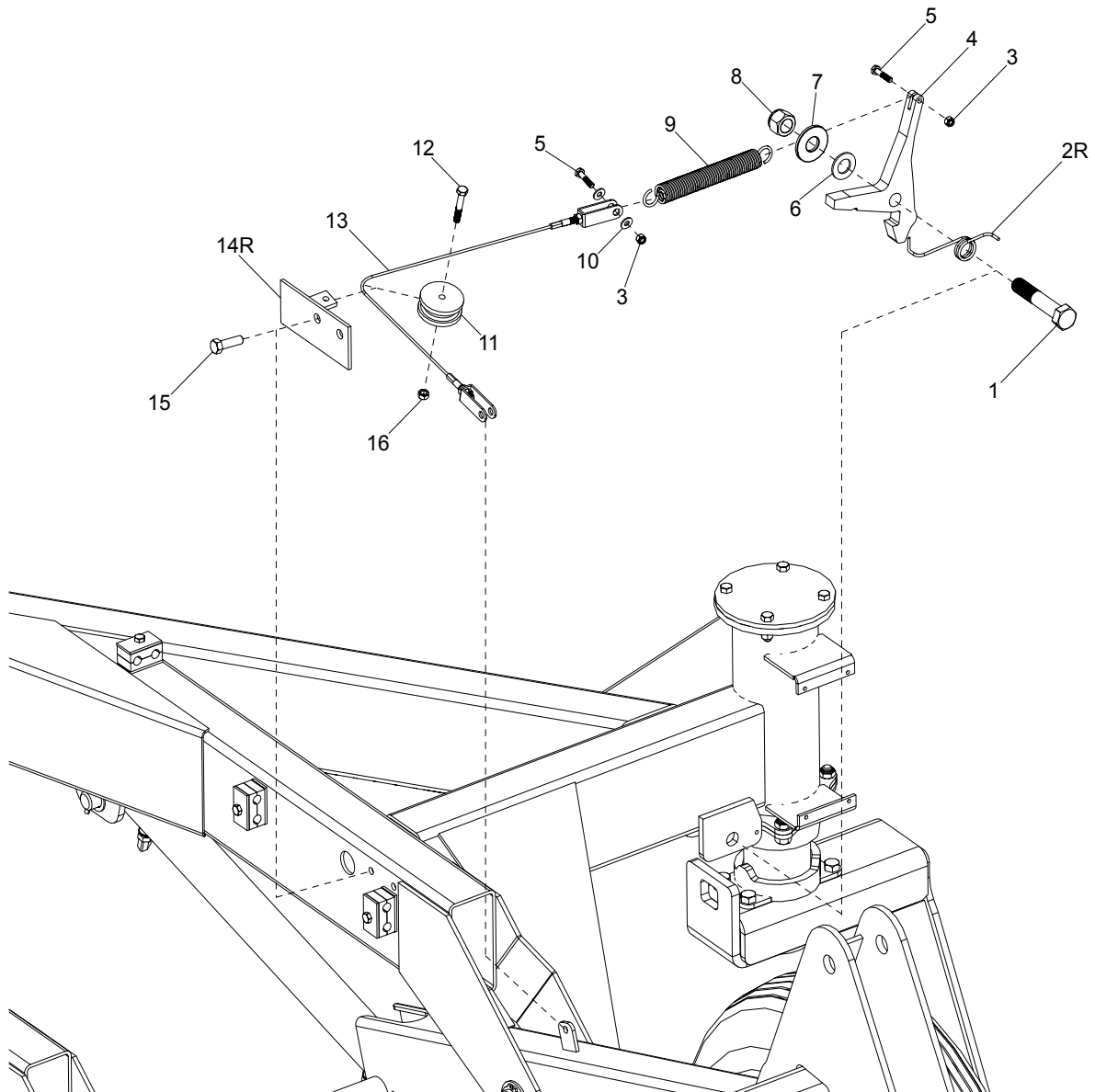
Ref#	Description	Part#	Qty
1	Bolt, 3/8"-16 x 1-1/4"	000275	4
2	Spring Cap	702412	1
3	3-1/2" Ext. Spiral Retaining Ring	702409	1
4	Top Bronze Bushing	702339	1
5	Compression Spring	702370	1
6	3/8" Split Lock Washer	000820	3
7	3/8"-16 Hex Nut	000915	3
8	1/4"-28 Spin Drive Fitting	400117	2
9	1/2"-13 Nylon Jam Nut	000752	3
10	Bottom Bronze Bushing	702340	1
11	Top Locking Pipe Assembly	703134	1
12	Bolt, 1/2"-13 x 1"	000405	3
13	Bolt, 1/2"-13 x 1-1/4"	000420	4
14	Bottom Locking Pipe Assembly	703142	1
15L	Left Dolly Frame	703094	1
15R	Right Dolly Frame	703100	1
16	1/2" Nylon Locknut	000950	1
17	Bolt, 1/2" x 3"	000470	1
18	G888 Spindle	703042	1
19	Hay Wrap Guard	703043	1
20	G888 Hub Complete	300122	1
21	Wheel and Tire Assembly	702105	1
22	1/2" Lug Bolt	300037	6
23	2-1/2" Grommet	510621	2

Transport Axle Assembly, S/N 93847-97106



Ref#	Description	Part#	Qty
1	Bolt, 3/8"-16 x 1-1/4"	000275	4
2	Spring Cap	702412	1
3	3-1/2" Ext. Spiral Retaining Ring	702409	1
4	Top Bronze Bushing	702339	1
5	Compression Spring	702370	1
6	3/8" Split Lock Washer	000820	3
7	3/8-16 Hex Nut	000915	3
8	1/4"-28 Spin Drive Fitting	400117	2
9	1/2"-13 Nylon Jam Nut	000752	3
10	Bottom Bronze Bushing	702340	1
11	Top Locking Pipe Assembly	703134	1
12	Bolt, 1/2"-13 x 1"	000405	3
13	Bolt, 1/2"-13 x 1-1/4"	000420	4
14	Bottom Locking Pipe Assembly	703142	1
15L	Left Dolly Frame	703548	1
15R	Right Dolly Frame	703539	1
16	1/2" Nylon Locknut	000950	1
17	Bolt, 1/2" x 3"	000470	1
18	2" x 14" G888 Spindle w/ Crosshole	703550	1
19	Hay Wrap Guard	703574	1
20	G888 Hub Complete	300122	1
21	Airplane Style Tire and Wheel	703557	1
22	1/2" Lug Bolt	300037	6
23	2-1/2" Grommet	510621	1

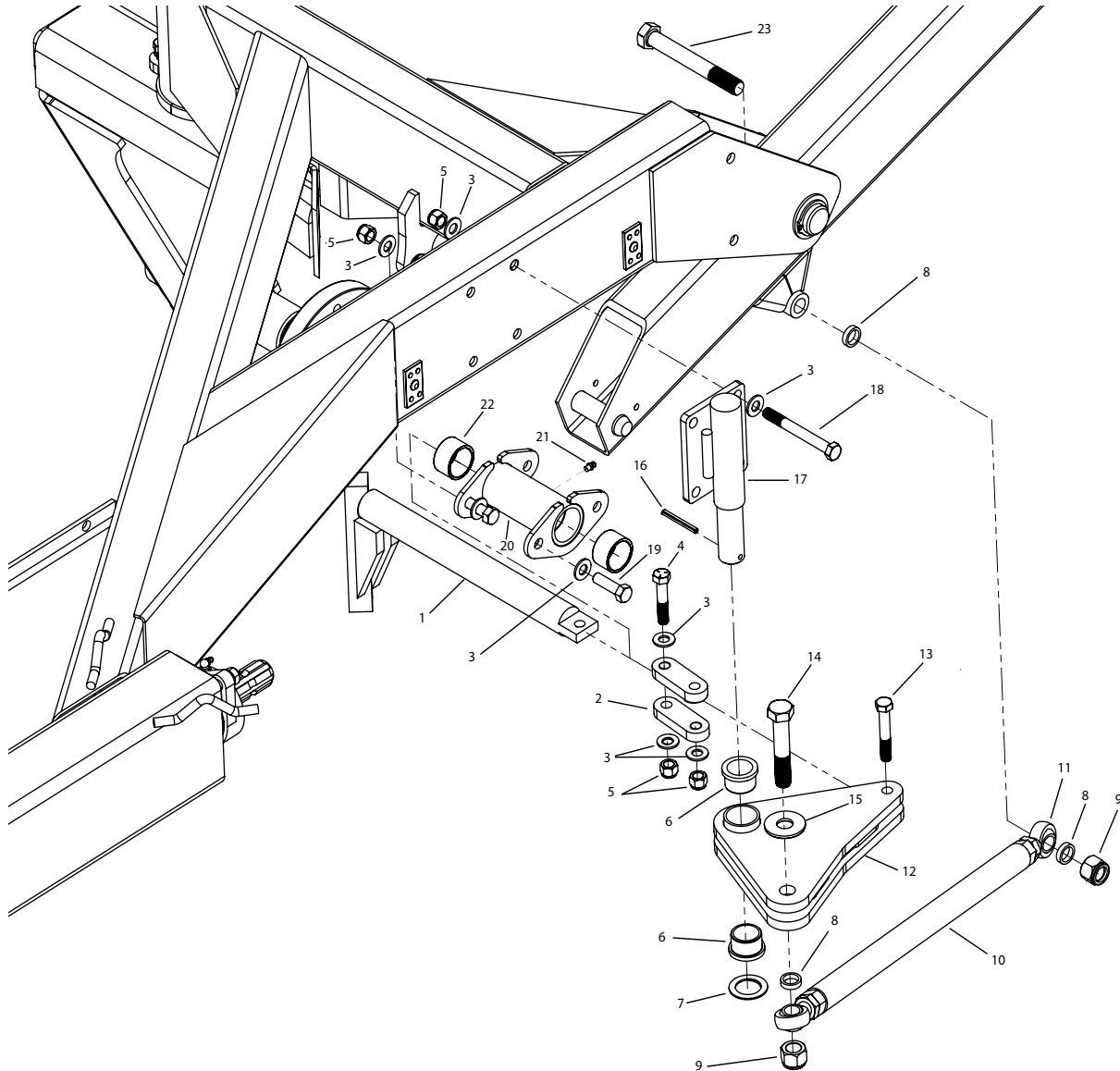
Transport Lock Assembly



Ref#	Description	Part#
1	3/4" x 4" HHB	000740
2R	Right Transport Latch Spring	703403
2L	Left Transport Latch Spring	703402
3	1/4-20 Nylon Lock Nut	003001
4	Transport Latch	703032
5	1/4-20 x 1-1/4 HHB	000184
6	3/4 USS Flat Washer	001086
7	Large 3/4 USS Flat Washer	001085
8	3/4-10 Nylon Lock Nut	000990

Ref#	Description	Part#
9	Transport Lock Spring	703144
10	3/8" USS Flatwasher	001035
11	Cable Pulley	703028
12	5/16-18 x 2" Hex Head Bolt	000122
13	Transport Latch Cable	703005
14R	Right Pulley Bracket	703055
14L	Left Pulley Bracket	703054
15	3/8-16 x 1.25 HHB	000275
16	5/16-18 HH Nut Zinc Plated	000910

Transport Lock Assembly



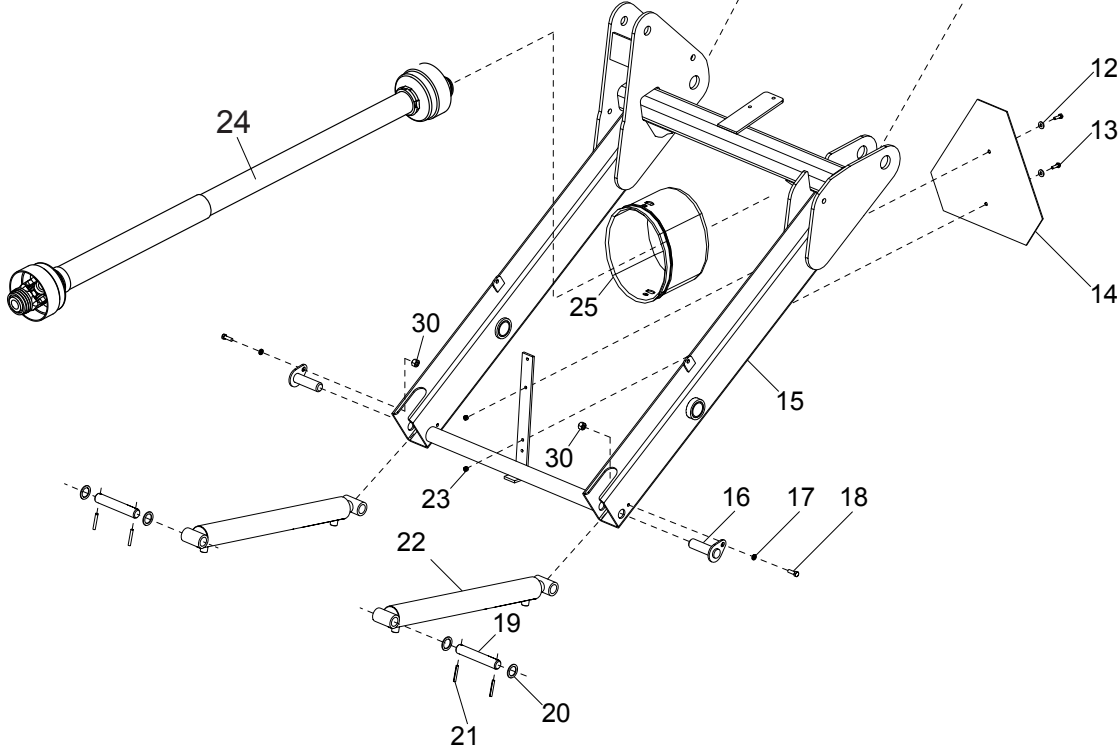
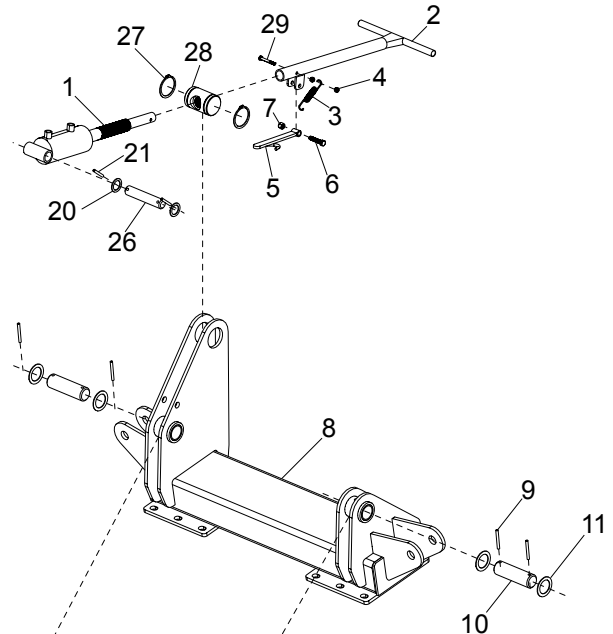
Ref#	Description	Part#
1	Push Rod Weld Assembly	703916
2	Push Rod Link	703915
3	1/2" SAE Flat Washer	001061
4	1/2" x 2-1/2" Hex Head Bolt	000460
5	1/2"-13 Nylon Locknut	000950
6	Flange Bushing	703893
7	1-1/4" x 1-7/8" Machinery Bushing	500185
8	Rod Eye Spacer	703863
9	3/4"-10 Nylon Locknut	000990
10	Push Link Assembly w/ Ball Ends	703861
11	Ball End w/ Jam Nut	300044
12	Latch Pivot Triangle Weld Assembly	703847

Ref#	Description	Part#
13	1/2"-13 x 3" Hex Head Bolt	000470
14	3/4"-10 x 4" Hex Head Bolt	000740
15	3/4" USS Flat Washer	001085
16	1/4" x 2-1/4" Roll Pin	502282
17	Latch Pivot Shaft Weld Assembly	703918
18	1/2" x 4-1/2" Hex Head Bolt	000500
19	1/2"-13 x 1-3/4" Hex Head Bolt	000445
20	Push Rod Housing	703869
21	1/2" Grease Fitting	400117
22	Push Link Bushing	703919
23	3/4-10 x 6" Hex Head Bolt	00765

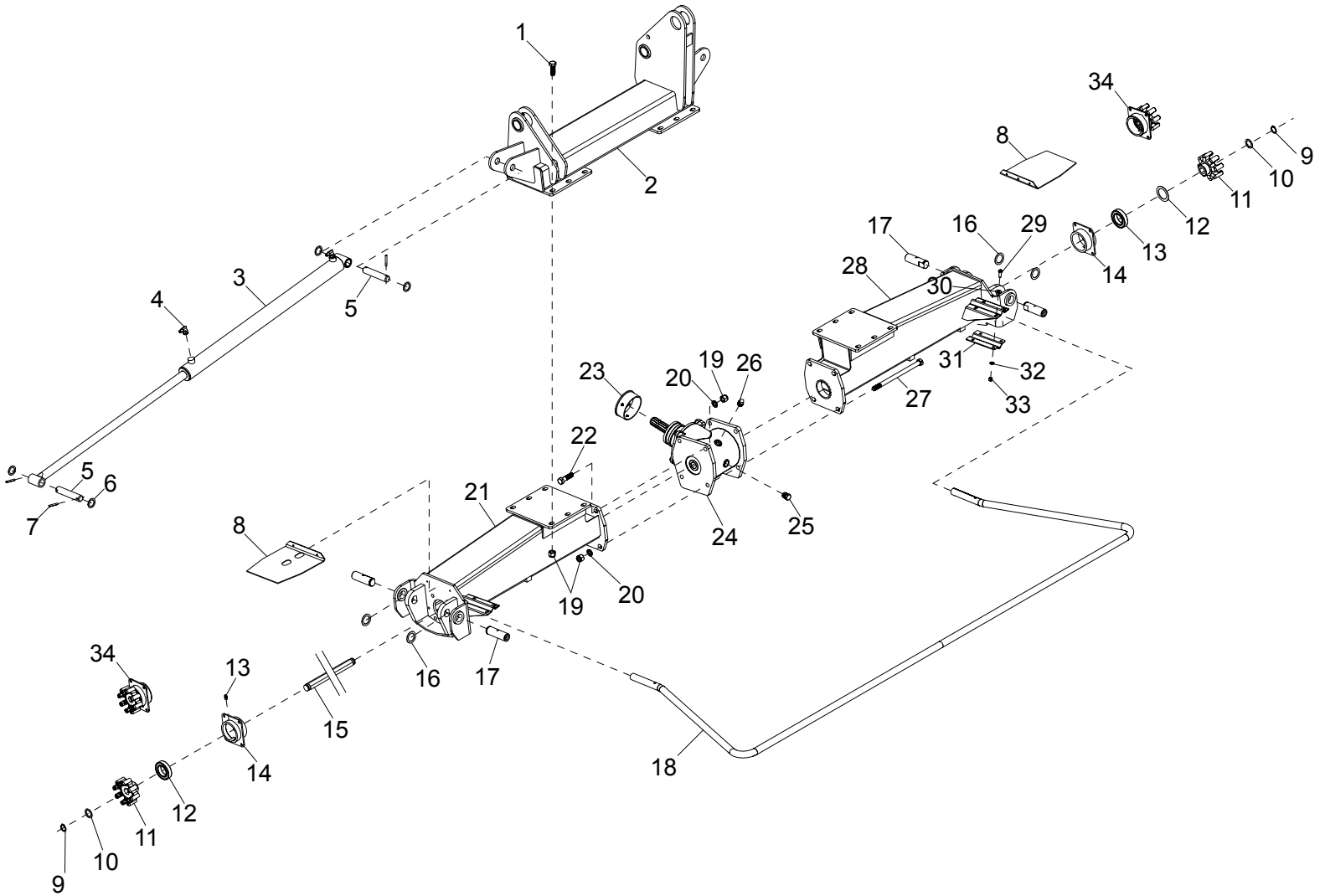
Lift Frame Assembly



Ref#	Description	Part#	Qty
1	Front Cylinder Handle Complete	703162	1
2	Rubber Grips	900116	2
3	Tilt Cylinder Handle Spring	703332	1
4	1/4" Nylon Lock Nut	003001	2
5	Tilt Cylinder Latch Weldment	N/A	1
6	3/8 x 1-3/4 Hex Head Bolt	000285	1
7	3/8 Nylon Lock Nut	003000	1
8	TT 6100, 8100 Tunnel Weldment	703223	1
9	1/4" x 2" Roll Pin	502282	4
10	Top Connecting Pin	701102	2
11	1-1/2" 14 ga. Machinery Bushing	500197	4
12	1/4" Flat Washer	001020	2
13	1/4" - 20 x 7/8" Hex Head Bolt	000180	2
14	SMV Triangle	507166	1
15	Lifting Carriage Weldment	703232	1
16	Pivot Pin Weldment	702439	2
17	3/8" Split Lock Washer	000820	2
18	3/8" x 1" Hex Head Bolt	000270	2
19	Kicker Pivot Pin	508414	2
20	1" 14 ga. Machinery Bushing	001008	4
21	1/4" x 1-3/4" Roll Pin	500187	4
22	2" x 18" Welded Cylinder	702358	2
23	1/4" Hex Nut	000900	2
24	PTO Shaft Complete	701212	1
25	PTO Shield	701205	1
26	Front Tilt Cylinder Pin	701016	1
27	Retaining Ring	703238	2
28	Front Tilt Cylinder Mount	703160	1
29	1/4" x 2" Hex Head Bolt	000190	1
30	3/8"-16 Nylon Locknut, Gr.5 Zinc	003000	2



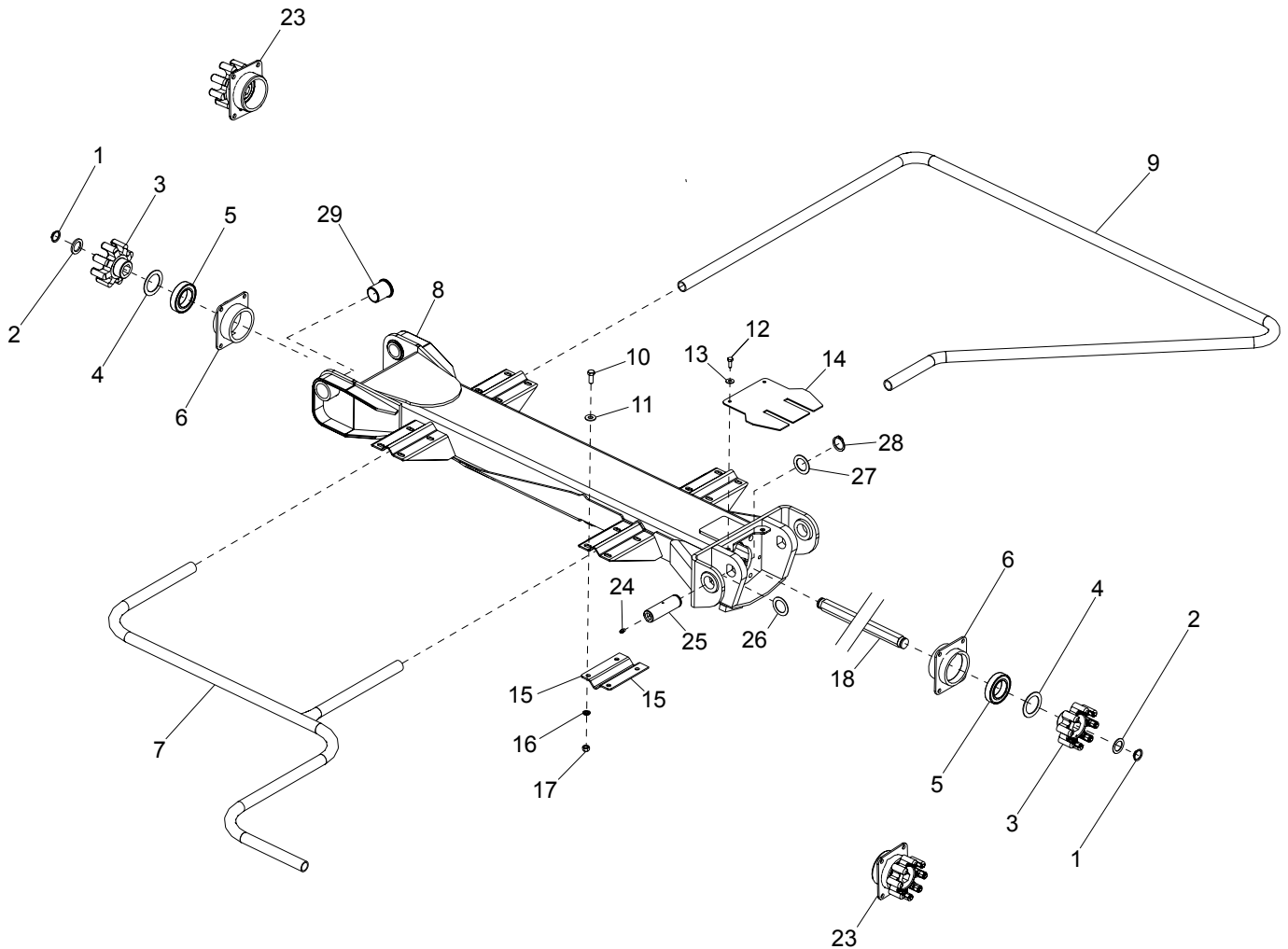
Center Tunnel Assembly



Ref#	Description	Part#	Qty
1	5/8-11 x 1-3/4 HHB	000625	12
2	Top Center Tunnel Weldment	703223	1
3	2" x 30" Welded Cross Tube Cylinder	703303	2
4	Elbow Fitting	700907	4
5	Hydraulic Pin	701016	4
6	Machinery Bushing	001008	8
7	1/4" x 1-3/4" Roll Pin	500187	8
8	Inside Finger Joint Cover	703131	2
9	1" Snap Ring	702883	2
10	Bolt, 1/2 x 1-1/4	702668	2
11	Open Finger Drive	702908	2
12	Finger Joint Bearing	702613	2
13	Spacer	702668	2
14	Finger Joint Bearing Holder	702877	2
15	Center Hex Shaft	703050	1
16	18 Gauge Shim Washer	703170	4
17	Wing Pivot Pin	703052	4

Ref#	Description	Part#	Qty
18	Center Guard	703344	1
19	5/8" Nylon Lock Nut	000972	8
20	5/8 Split Lock Washer	000860	8
21	Left Center GB Weldment	703698	1
22	5/8"-11 x 2.25" HHB	000626	4
23	PTO Shield Mounting Bracket	703145	1
24	Center Gearbox Asm	703621	1
25	Hex-Head Plug	703115	1
26	Solid Square-Head Plug	703116	1
27	5/8"-11 x 10" HHB	000690	2
28	Right Center GB Weldment	703697	1
29	3/8-16 x 1.000 HHB	000270	8
30	3/8 USS Flat Washer	001035	8
31	Guard Cradle	702696	2
32	3/8 Split Lock Washer	000820	8
33	3/8-16 Hex Nut zinc	000915	8
34	Finger and Bearing Assembly	702874	2

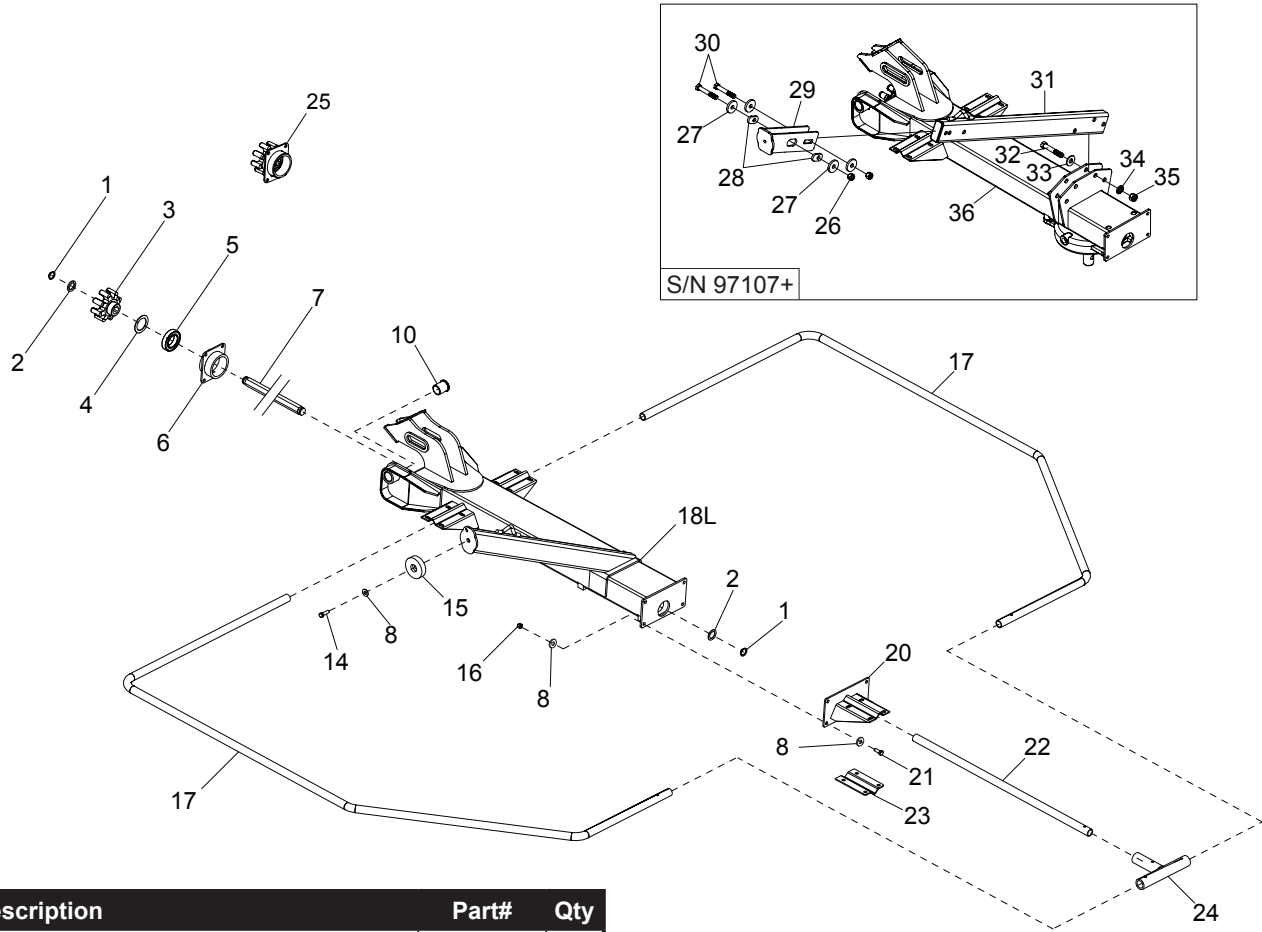
Inner Wing Assembly



Ref#	Description	Part#
1	1" Heavy Duty Snap Ring	702883
2	Machinery Bushing	300133
3	Open Finger Drive	702908
4	Finger Joint Spacer	702668
5	Finger Joint Bearing	702613
6	Finger Joint Bearing Holder	702877
7	Inner Guard Assembly	703056
8	Middle Wing Weldment	703737
9	Middle Guard	703263
10	3/8-16 x 1.000 HHB	000270
11	3/8 USS Flat Washer	001035
12	1/4-20 x .75 HHB	000175
13	1/4 USS Flat Washer	001020
14	Center Finger Joint Cover	703734

Ref#	Description	Part#
15	Guard Cradle	702696
16	3/8 Split Lock Washer	000820
17	3/8-16 Hex Nut zinc	000915
18	Middle Wing Hex Shaft	703051
19	Nylon Pad	703376
20	Washer	001030
21	Bolt	000221
22	SAE 863 Iron-Copper Bushing	703535
23	Finger and Bearing Assembly	702874
24	1/4-28 Spin-drive Grease Zert	400117
25	Wing 1.250" D Pin	703052
26	1-1/4" x 1-7/8" Machinery Bushing, 18 Ga.	703588
27	1-1/4" x 1-7/8" Machinery Bushing, 14 Ga.	500185
28	Heavy Duty Ext Retaining Ring, 1-1/4"	702826
29	SAE 863 Iron-Copper Bushing	703535

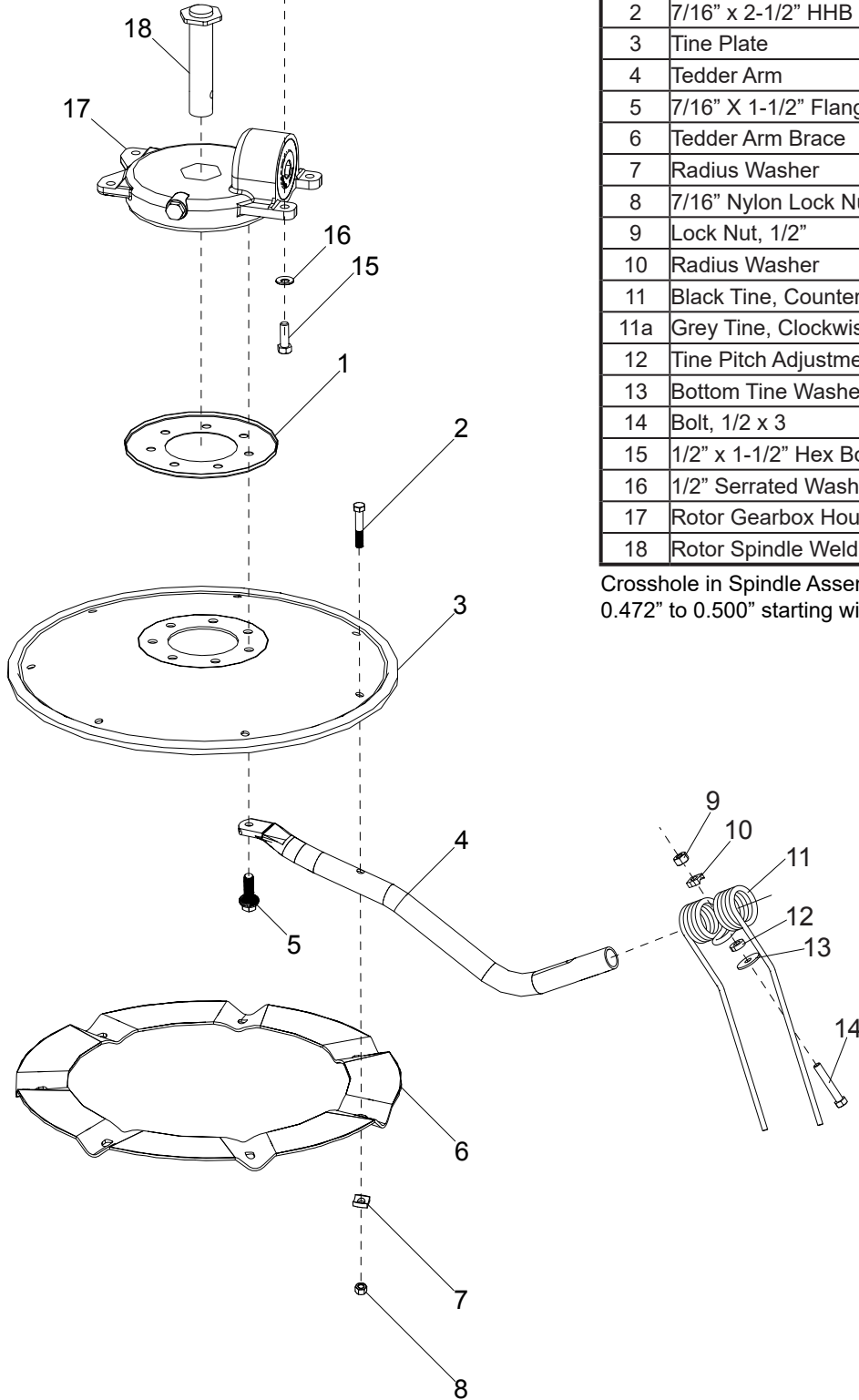
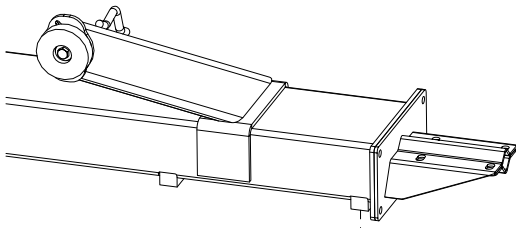
Outer Wing Assembly



Ref#	Description	Part#	Qty
1	1" Heavy Duty Snap Ring	702883	2
2	Machinery Bushing	300133	2
3	8 Finger Joint, S/N -800425	702908	1
*	7 Finger Joint, S/N 800425+	703546	1
4	Finger Joint Spacer	702668	1
5	Finger Joint Bearing, S/N -800425	702613	1
*	Finger Joint Bearing, S/N 800425+	403789	1
6	Finger Joint Bearing Holder	702877	1
7	End Wing Hex Shaft	702882	1
8	3/8 USS Flat Washer	001035	12
9	18 Gauge Stainless Steel Shim	703170	4
10	SAE 863 Iron-Copper Bushing	703535	2
11	Spiral Roll Pin	702798	2
12	Grease Pin, 1.25	702725	2
13	1/4" Grease Fitting	400117	2
14	3/8-16 x 1.25 HHB	000275	1
15	Wing Bumper	703324	1
16	3/8" Nylon Locknut	003000	4
17	Outer Guard	703341	2
18L	Left Wing Weldment	702746	1
18R	Right Wing Weldment	702801	1

Ref#	Description	Part#	Qty
20	Guard Sleeve Weldment	702704	1
21	3/8" x 1-1/4" Grade 5 Bolt	000275	4
22	Outer Guard Support Pipe	703337	1
23	Guard Cradle	702696	3
24	Guard Pipe Connection	703340	1
25	Finger and Bearing Asm. S/N -800425	702874	1
*	Finger and Bearing Asm. S/N 800425+	705068	1
26	1/2" Nylon Locknut	000950	2
27	Bottom Tine Washer	701004	4
28	Cam Adjustment For Arm	704040	2
29	Adjustable Arm Weldment	703914	1
30	1/2-13 x 3-1/4 HHB Gr. 5	000477	2
31	Bolted Arm Weldment	704043	1
32	9/16-12 x 3.25 H.H.B. Gr 5	000584	3
33	9/16 USS Flat Washer	001065	3
34	9/16" Serrated Conical Washer	705000	3
35	9/16-12 Nylon Lock Nut	000963	3
36	6 Star Outer Wing Weldment	704044	1

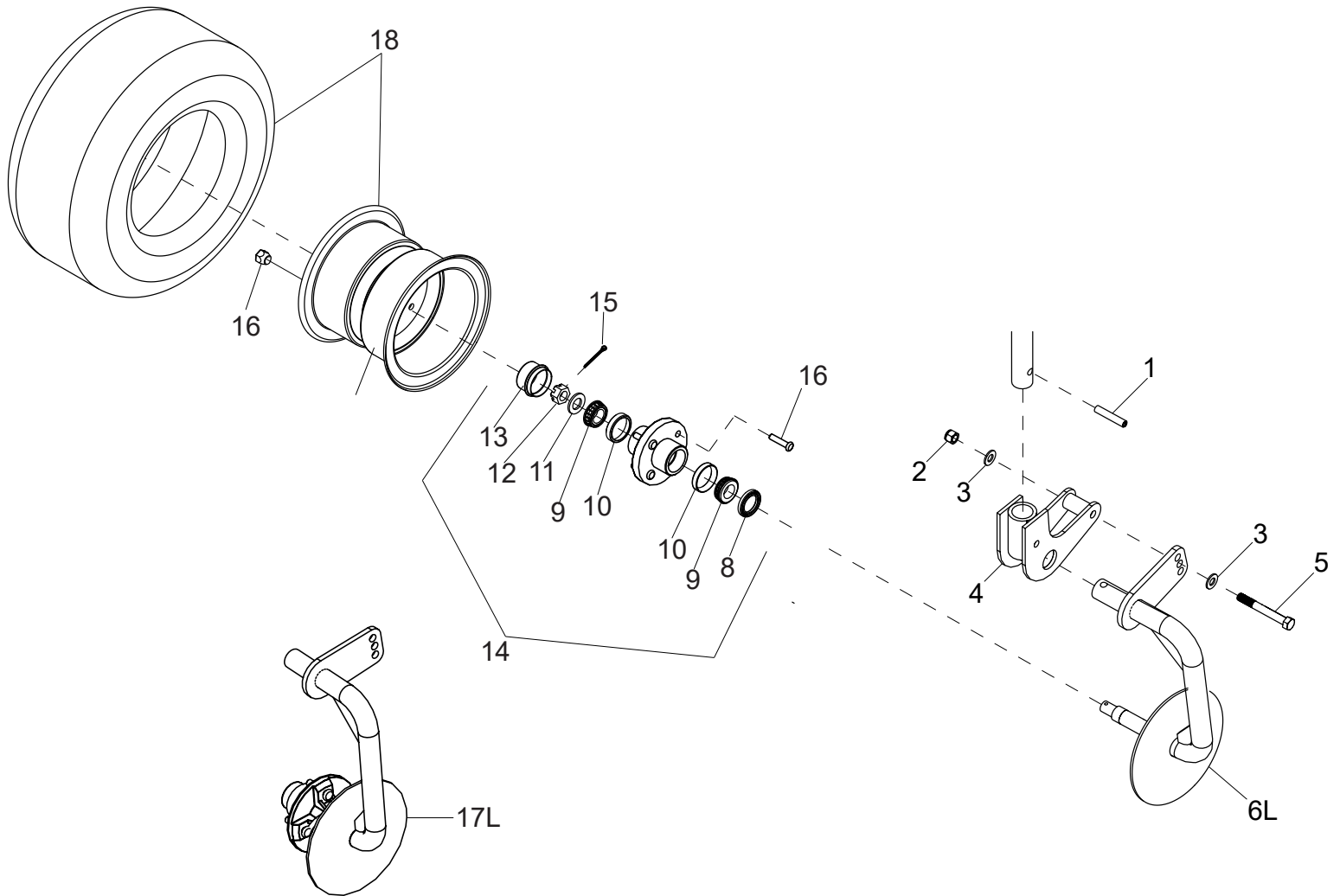
Rotor & Tine Arm



Ref#	Description	Part#	Qty (per rotor)
1	Hay Wrap Guard	702734	1
2	7/16" x 2-1/2" HHB	000375	7
3	Tine Plate	702714	1
4	Tedder Arm	702718	7
5	7/16" X 1-1/2" Flanged HHB	000725	7
6	Tedder Arm Brace	700942	1
7	Radius Washer	701008	7
8	7/16" Nylon Lock Nut	000385	7
9	Lock Nut, 1/2"	000950	7
10	Radius Washer	701008	7
11	Black Tine, Counter Clockwise	700901	7
11a	Grey Tine, Clockwise Rotation	700929	7
12	Tine Pitch Adjustment Washer	701005	7
13	Bottom Tine Washer	701004	7
14	Bolt, 1/2 x 3	000471	7
15	1/2" x 1-1/2" Hex Bolt	000435	4
16	1/2" Serrated Washer	702821	4
17	Rotor Gearbox Housing	702600	1
18	Rotor Spindle Weldment	702674	1

Crosshole in Spindle Assembly (ID 18) was changed from 0.472" to 0.500" starting with serial number 95061.

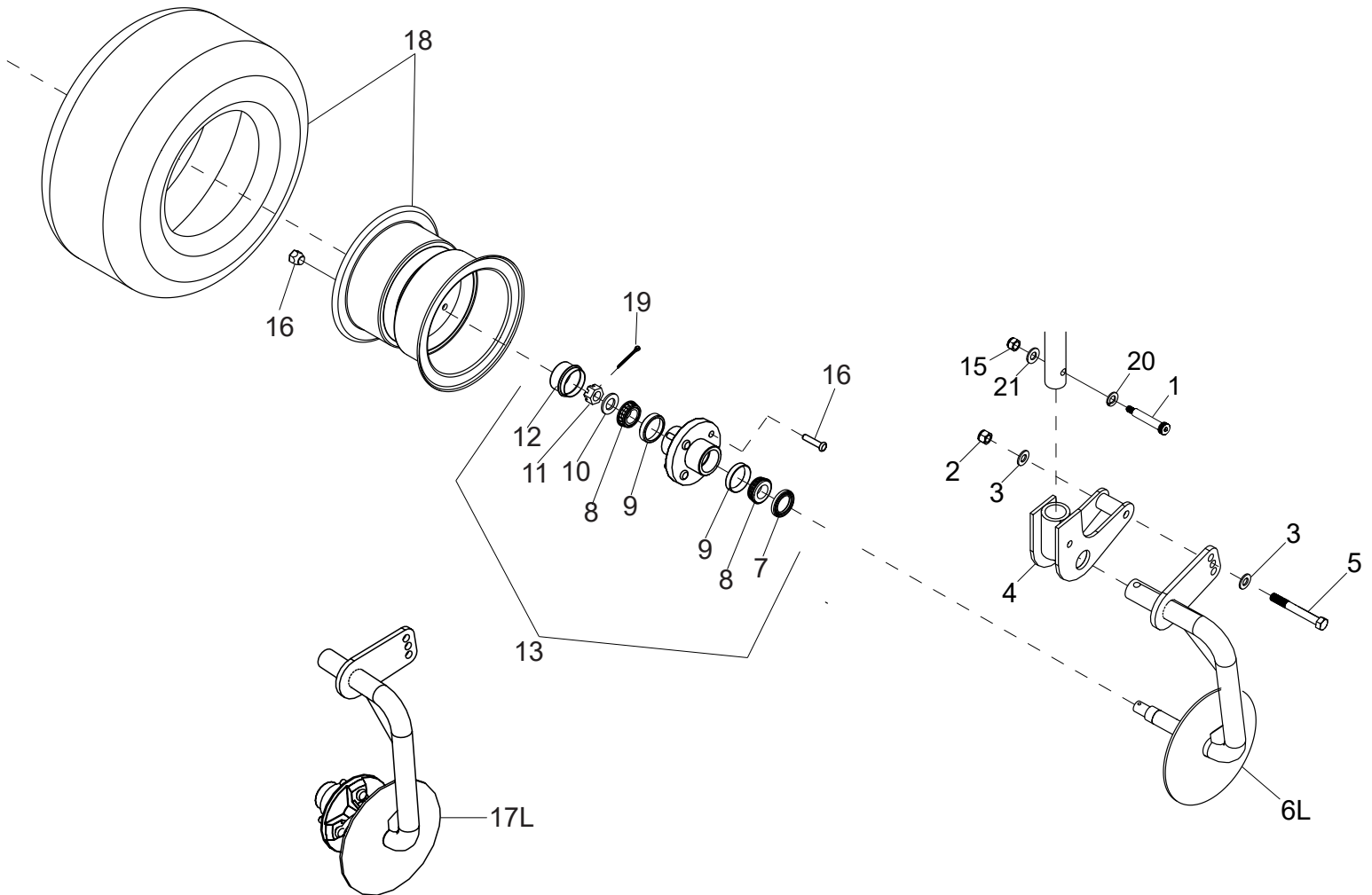
Axle Assembly S/N -95066



Ref#	Description	Part#	Qty (per axle)
1	12 x 60 Spiral Roll Pin	702019	1
2	1/2"-13 Nylon Lock Nut	000950	1
3	1/2" SAE Flat Washer	001061	2
4	Spindle Tube Weldment	702729	1
5	1/2" -13 x 4" HHB	000490	1
6	Spindle Weldment	N/A	1
7	Wheel Cover Assembly	701002	1
8	Grease Seal	500201	1
9	Bearing, L44643	500202	2
10	Race, L44610	500204	2
11	Spindle Washer	500206	
12	Spindle Nut	500207	1

Ref#	Description	Part#	Qty (per axle)
13	Dust Cap	500209	1
14	Complete Hub	500199	1
15	Cotter Pin	500208	1
16	Lug Bolt (for threaded hub)	500210	4
	Stub Bolt (drive in)	508505	4
	Lug Nut (for drive in stud)	508506	4
17L	Left Spindle and Hub Package	702912	1
17R	Right Spindle and Hub Package	702913	1
18	Tire & Wheel Assembly	500220	1
19	Cotter Pin	500208	1

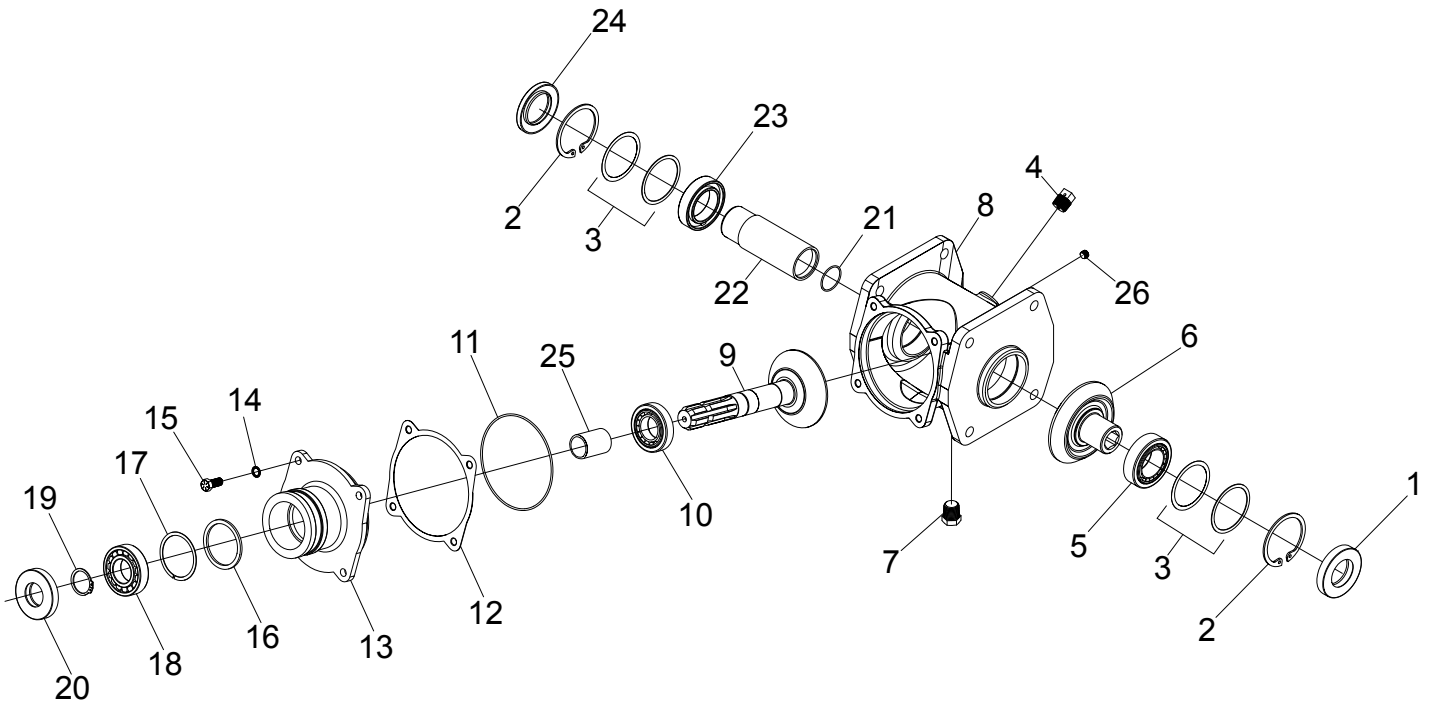
Axle Assembly 95066+



Ref#	Description	Part#	Qty (per axle)
1	1/2" x 2-1/2 x 5/16" Shoulder Bolt	703772	1
2	1/2"-13 Nylon Lock Nut	000950	1
3	1/2" SAE Flat Washer	001061	2
4	Spindle Bracket Assembly (Bolted)	703763	1
5	1/2" -13 x 4" HHB	000490	1
6	Spindle Weldment	703761	1
7	Wheel Cover Assembly	701002	1
8	Grease Seal	500201	1
9	Bearing, L44643	500202	2
10	Race, L44610	500204	2
11	Spindle Washer	500206	1
12	Spindle Nut	500207	1
13	Dust Cap	500209	1

Ref#	Description	Part#	Qty (per axle)
14	Complete Hub	500199	1
15	4-Bolt Rim	500222	1
16	Lug Bolt (for threaded hub)	500210	4
	Stub Bolt (drive in)	508505	4
	Lug Nut (for drive in stud)	508506	4
17	Tire, 215/60-8	500221	1
18	Tire & Wheel Assembly	500220	1
19	Cotter Pin	500208	1
20L	Left Spindle and Hub Package	702912	1
20R	Right Spindle and Hub Package	702913	1
21	1/2 Lock Washer, Zinc	000840	1
22	3/8" USS Flat Washer, Zinc	001035	1
23	3/8" Nylon Lock Nut, Zinc	003000	1

Input Gearbox Assembly



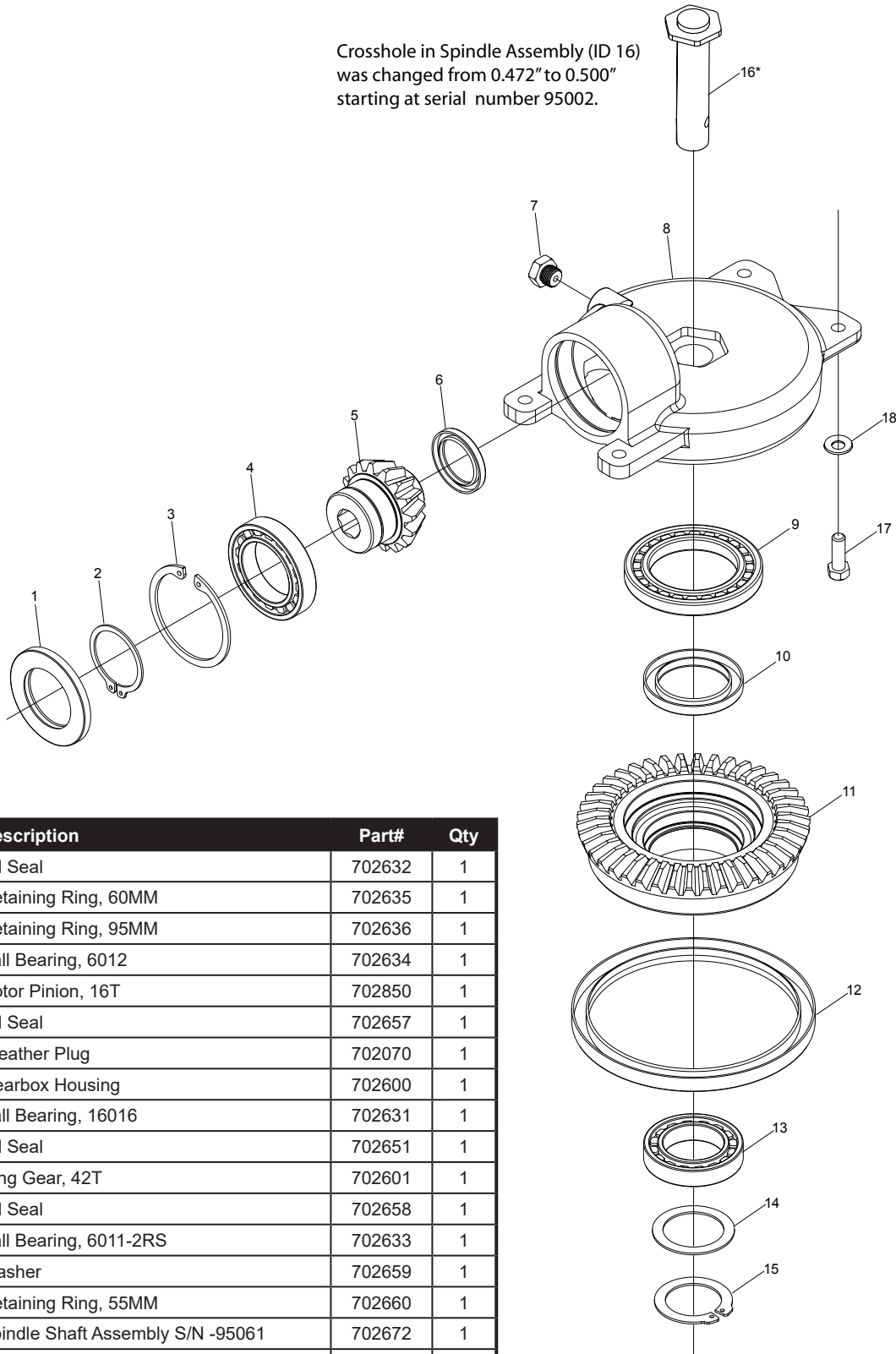
Ref#	Description	Part#
1	Oil Seal,- 45Mm X 80Mm X 13Mm	702655
2	Int. Retaining Ring, 80Mm, Din 472-080	702643
3	Retaining Ring Washer	702661-36
4	Center Gear Shim 0.003" Thick	702661-003
5	33109 Taper Bearing Set	702841
6	20T High Speed Center Gear,-(Hex Drive)	703573
7	X100 Series Plug	703115
8	Center Gearbox 17X20	703560
9	17T High Speed Pinion	703572
10	30207 Tapered Roller Bearing	703564
11	6207 Open Ball Bearing	702644
12	Disk Spring Shim, Center Gearbox	703590-003

Ref#	Description	Part#
13	30 Lb Disk Spring- Bearing Preloader	703566
14	Gearbox Disk Spring Holder	703567
15	Ext. Retaining Ring, 35Mm	702648
16	Input Cap O-Ring	703659
17	Input Shaft Housing For Tapered Roller Bearing	703563
18	7/16 Serrated Safety Washer, 0130155	702663
19	7/16-20 X 1 Hex Head Bolt Gr. 8	000349
20	Oil Seal,- 35Mm X 72Mm X 12Mm	702656
21	O-Ring	702646
22	Input Gear Spacer For 17X20 Gearbox	703570
23	6010 Open Ball Bearing	702638
24	Oil Seal,- 50Mm X 80Mm X 8Mm	702654
	Complete High Speed Center Gearbox	703621

Rotor Gearbox Assembly

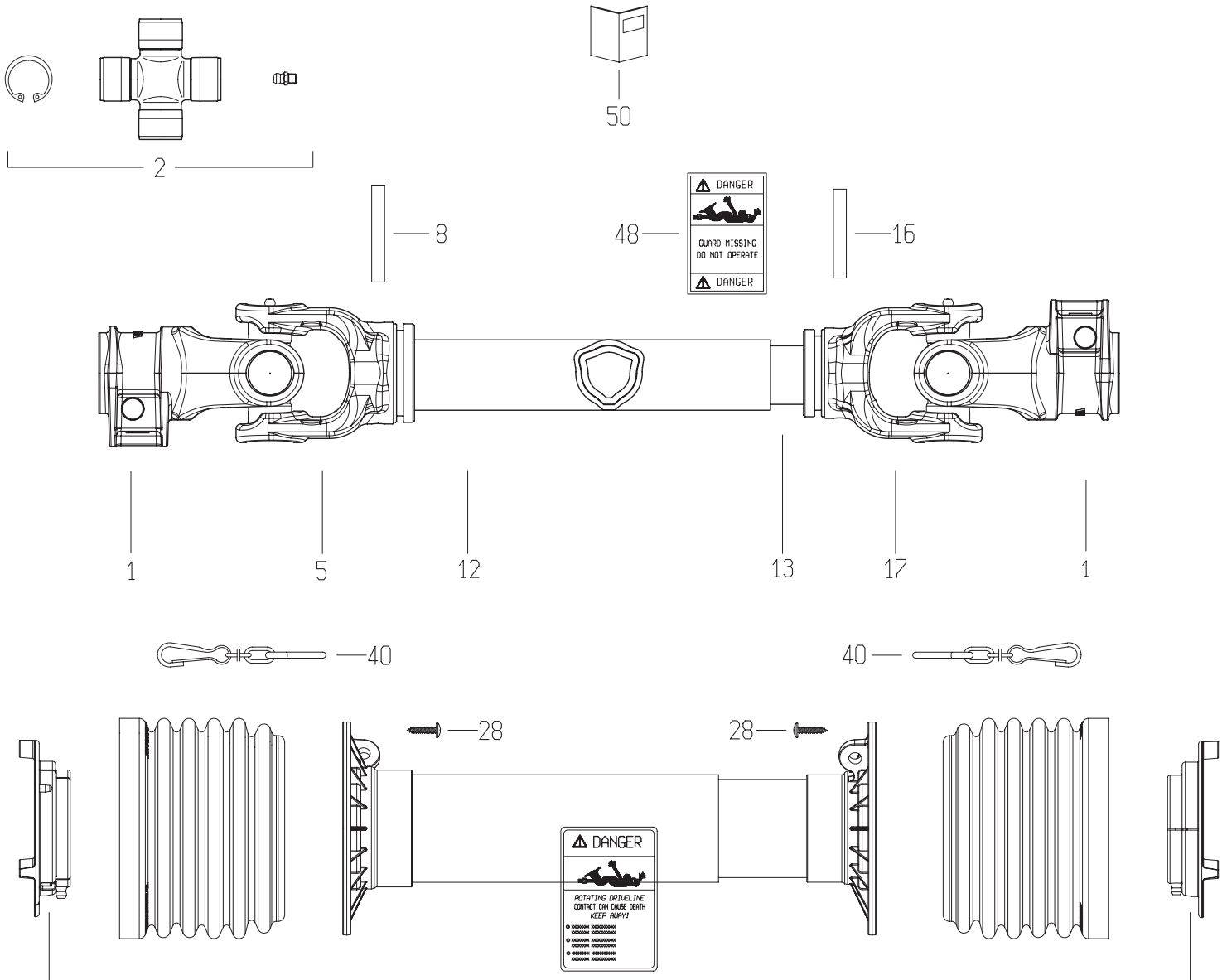


Crosshole in Spindle Assembly (ID 16) was changed from 0.472" to 0.500" starting at serial number 95002.



Ref#	Description	Part#	Qty
1	Oil Seal	702632	1
2	Retaining Ring, 60MM	702635	1
3	Retaining Ring, 95MM	702636	1
4	Ball Bearing, 6012	702634	1
5	Rotor Pinion, 16T	702850	1
6	Oil Seal	702657	1
7	Breather Plug	702070	1
8	Gearbox Housing	702600	1
9	Ball Bearing, 16016	702631	1
10	Oil Seal	702651	1
11	Ring Gear, 42T	702601	1
12	Oil Seal	702658	1
13	Ball Bearing, 6011-2RS	702633	1
14	Washer	702659	1
15	Retaining Ring, 55MM	702660	1
16a	Spindle Shaft Assembly S/N -95061	702672	1
16b	Spindle Shaft Assembly S/N 95061+	703761	1
17	1/2" x 1-1/2" Hex Bolt	000435	4
18	1/2" Serrated Washer	702821	4
	Complete Rotor Gearbox	702848	

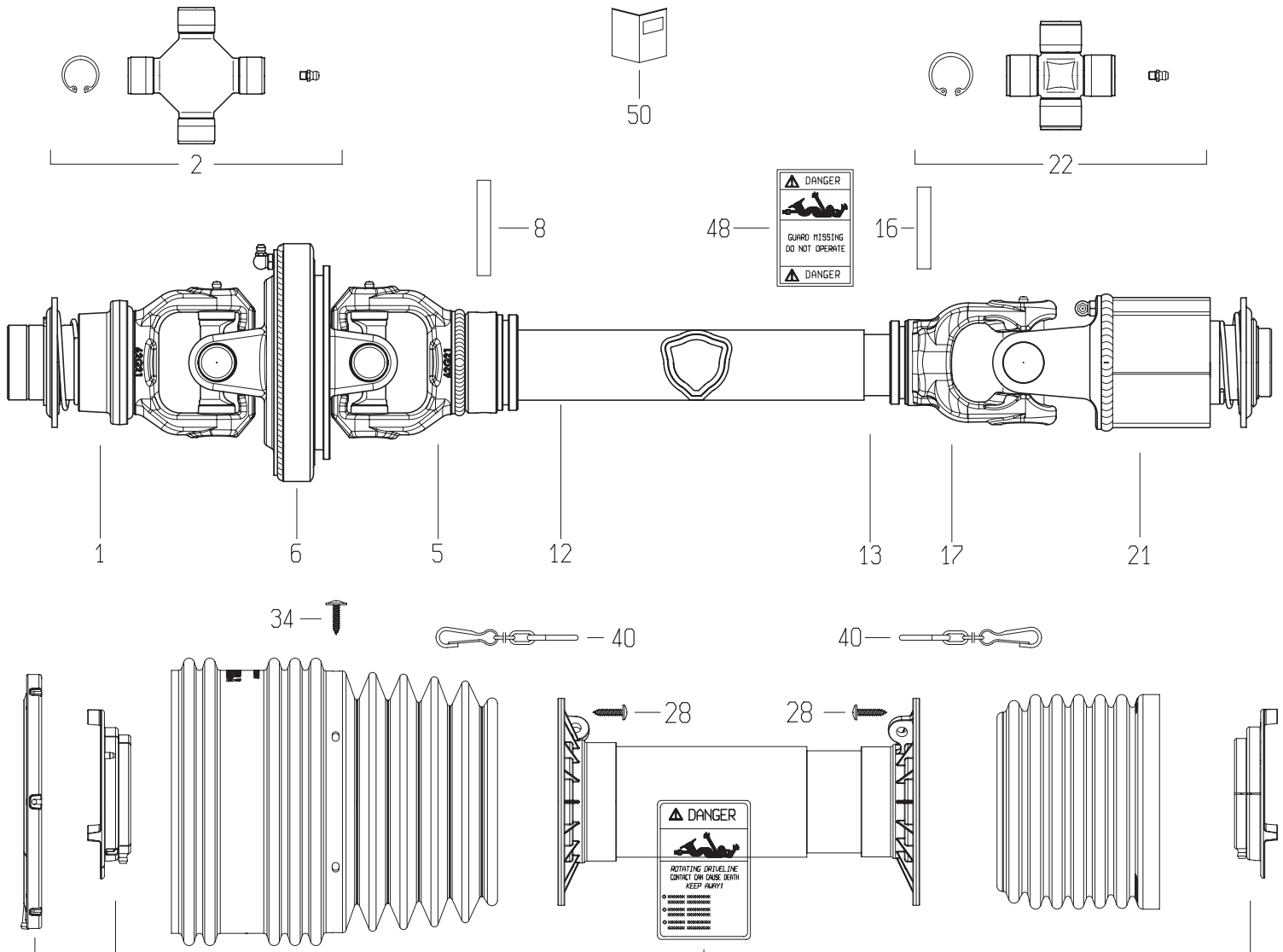
Rear PTO Shaft Assembly



Ref#	Description	Part#
1	Yoke #4/S4 1-3/8"Z6 Shrouded Pin (007)	500427
2	Cross Kit S4-G4 27X74.6 Cap Zerk	500428
5	Tube Yoke #4-G4 Outer (43.5)	500429
8	Flexible Roll Pin 8X60 Din1481	500430
12	Cardan Tube Outer 12508 L=1170	703829
13	Cardan Tube Inner 12507 L=1170	703830
16	Flexible Roll Pin 8X55 Din1481	500433
17	Tube Yoke #4-G4 Inner (36.0)	500434
26	Shield Support Outer G3-G4	500436

Ref#	Description	Part#
28	Screw 4.8X22 Self Tap Zinc	500417
32	Shield Support Inner G3-G4	500437
40	Shield Chain W/S-Hook L=500Mm	500420
48	Label - Danger - Outer Drive Tube	500421
49	Label - Danger - Outer Shield Tube	500422
50	Instruction Booklet - N.america Global	500423
93	Half Shaft Cleared	703831
94	Half Shaft Cleared	703832
97	Complete Shield Kit	703833

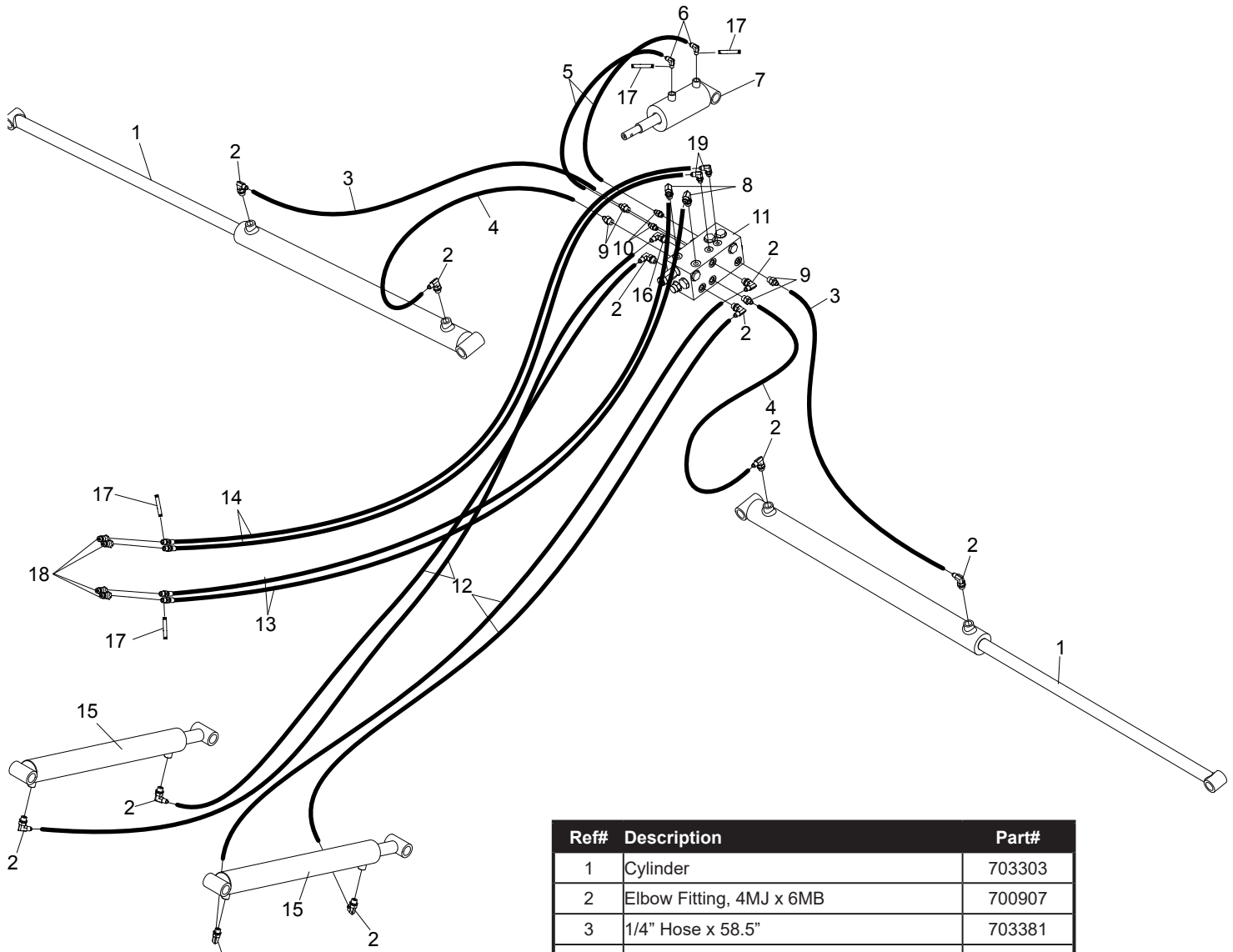
Front PTO Shaft Assembly



Ref#	Description	Part#
1	Yoke S6/1R6 Rt EI 80°Cv 1-3/8"Z6 (Wr7)	703834
2	Cross Kit S6-1R6-G5-G7 EI 80°CV 27X100	703835
5	Outer Tube Yoke	703836
6	Central Body 1R6-S6-G5-G7 80°Cv Sft EI	703837
8	Flexible Roll Pin 10X70 Din1481	703838
12	Cardan Tube Outer 12520 L=700	703839
13	Cardan Tube Inner 12597 L=700 Rilsan	703840
16	Flexible Roll Pin 10X60 Din1481	703841
17	Tube Yoke #5-G5 Inner 5N7 (45.0)	703842
21	Torque Limiter	703843
22	Cross Kit S5-S6-G5 30.2X79.4 Cap Zerk	703844
26	Shield Support G5 Outer Global	703845

Ref#	Description	Part#
27	Shield Support Sft EI Cv80 S6 Cv50 S6-S8	703846
28	Screw 4.8X22 Self Tap Zinc	500417
32	Shield Support G5 Inner Global	703847
34	Screw 4.8X22 Self Tap Zinc Flange Head	503112
40	Shield Chain W/S-Hook L=500Mm	500420
48	Label - Danger - Outer Drive Tube	500421
49	Label - Danger - Outer Shield Tube	500422
50	Instruction Booklet - N.america Global	500423
93	Half Shaft Cleared	703848
94	Half Shaft Cleared	703849
97	Complete Shield Kit	702098

Hydraulics



Ref#	Description	Part#
1	Cylinder	703303
2	Elbow Fitting, 4MJ x 6MB	700907
3	1/4" Hose x 58.5"	703381
4	1/4" Hose x 32.5"	703380
5	1/4" Hose x 15.5"	703379
6	Elbow Fitting, 4MJ x 4MP	702459
7	Tilt Cylinder	703159
8	Elbow Fitting, 6MJ x 6MB	507287
9	Straight Fitting, 4MJ x 6MB	700908
10	Straight Fitting, 4MJ x 4MB	290195
11	Manifold	702515
12	1/4" Hose x 72"	703385
13	3/8" Hose x 234"	702514
14	1/4" Hose x 234"	702450
15	2x18 Cylinder	702358
16	Long Elbow Fitting, 4MJ x 6MB	700902
17	White Nylon Tape	703483
18	Male Ag Quick Coupler	290105
19	Elbow Fitting, 4MJ x 4MB	700948